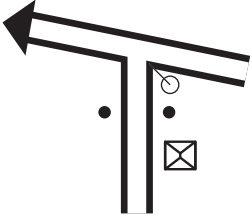

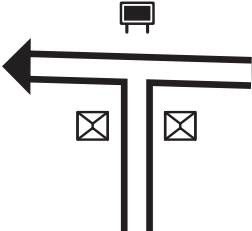


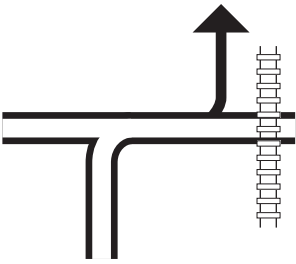

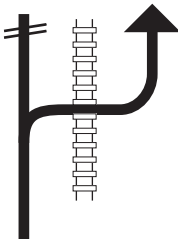
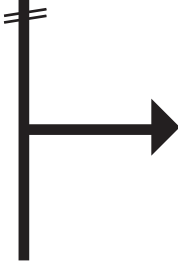
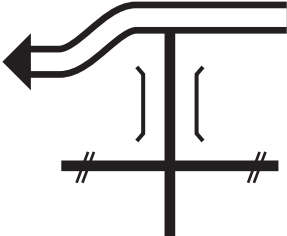


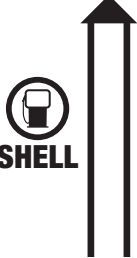

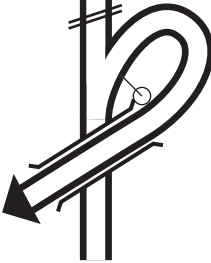




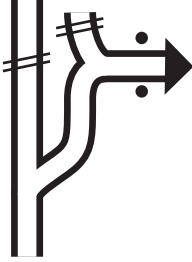

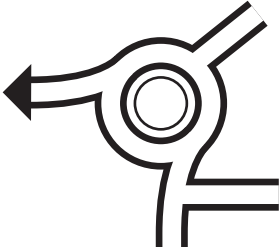


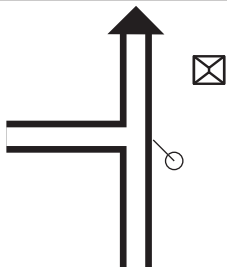
PAGINA 1	DELTA DOCK CIUDAD UNIVERSITARIA	KM TOTAL: 107,84
<p data-bbox="165 204 352 295">0,00</p> <p data-bbox="59 384 165 424">107,84</p> <p data-bbox="191 363 356 424">0,00</p>		<p data-bbox="855 188 916 236"><b>R0</b></p> <p data-bbox="807 248 964 304">  33° 58.897'S 59° 11.654'W </p> <p data-bbox="754 347 1023 379">DELTA DOCK SORTIE</p>
<p data-bbox="165 483 352 574">7,03</p> <p data-bbox="59 663 165 703">100,81</p> <p data-bbox="191 643 356 703">7,03</p>		<p data-bbox="788 475 986 563"><b>!RLT / (V)</b></p> <p data-bbox="736 592 1034 663">  RUTA NACIONAL  </p>
<p data-bbox="165 762 352 853">7,32</p> <p data-bbox="59 935 165 975">100,52</p> <p data-bbox="191 914 356 975">0,29</p>		<p data-bbox="878 826 911 866"><b>P</b></p>
<p data-bbox="165 1042 352 1133">8,21</p> <p data-bbox="59 1214 165 1254">99,63</p> <p data-bbox="191 1193 356 1254">0,89</p>		<p data-bbox="855 1106 922 1145"><b>E3</b></p>
<p data-bbox="115 1321 352 1412">11,65</p> <p data-bbox="59 1493 165 1533">96,19</p> <p data-bbox="191 1473 356 1533">3,44</p>		

PAGINA <b>2</b>	DELTA DOCK CIUDAD UNIVERSITARIA	KM TOTAL: 107,84
<div data-bbox="116 204 353 296" data-label="Text"> <h1>12,35</h1> </div> <div data-bbox="76 387 163 424" data-label="Text"> <p>95,49</p> </div> <div data-bbox="283 384 353 421" data-label="Text"> <p>0,70</p> </div>		
<div data-bbox="116 483 353 576" data-label="Text"> <h1>15,32</h1> </div> <div data-bbox="76 667 163 703" data-label="Text"> <p>92,52</p> </div> <div data-bbox="283 663 353 700" data-label="Text"> <p>2,97</p> </div>		<div data-bbox="745 483 1025 515" data-label="Text"> <p>→ <b>BUENOS AIRES</b></p> </div> <div data-bbox="854 571 919 624" data-label="Text"> <h2>Ro</h2> </div>
<div data-bbox="116 762 353 855" data-label="Text"> <h1>15,81</h1> </div> <div data-bbox="76 946 163 983" data-label="Text"> <p>92,03</p> </div> <div data-bbox="283 943 353 979" data-label="Text"> <p>0,49</p> </div>		<div data-bbox="807 831 966 863" data-label="Text"> <p><b>AUTOROUTE</b></p> </div>
<div data-bbox="116 1042 353 1134" data-label="Text"> <h1>17,00</h1> </div> <div data-bbox="76 1225 163 1262" data-label="Text"> <p>90,84</p> </div> <div data-bbox="283 1222 353 1259" data-label="Text"> <p>1,19</p> </div>		<div data-bbox="725 1010 893 1102" data-label="Text"> <p>PEAGE: \$ 4,40        \$ 3,80        \$ 5,20</p> </div>
<div data-bbox="116 1321 353 1414" data-label="Text"> <h1>19,55</h1> </div> <div data-bbox="76 1505 163 1541" data-label="Text"> <p>88,29</p> </div> <div data-bbox="283 1501 353 1538" data-label="Text"> <p>2,55</p> </div>		

PAGINA <b>3</b>	<b>DELTA DOCK</b> <b>CIUDAD UNIVERSITARIA</b>	<b>KM TOTAL: 107,84</b>
<div data-bbox="115 209 353 296" data-label="Text"> <h1>75,44</h1> </div> <div data-bbox="76 389 163 424" data-label="Text"> <p>32,40</p> </div> <div data-bbox="266 384 353 419" data-label="Text"> <p>55,89</p> </div>	<div data-bbox="508 161 561 424" data-label="Image"> </div> <div data-bbox="563 244 628 339" data-label="Image"> </div>	
<div data-bbox="115 485 353 572" data-label="Text"> <h1>78,04</h1> </div> <div data-bbox="76 667 163 702" data-label="Text"> <p>29,80</p> </div> <div data-bbox="284 662 353 697" data-label="Text"> <p>2,60</p> </div>	<div data-bbox="508 442 561 705" data-label="Image"> </div> <div data-bbox="566 547 620 600" data-label="Image"> </div>	<div data-bbox="725 454 893 515" data-label="Text"> <p>PEAGE: \$ 3,80 \$ 5,70</p> </div>
<div data-bbox="115 764 353 852" data-label="Text"> <h1>98,75</h1> </div> <div data-bbox="96 946 163 981" data-label="Text"> <p>9,09</p> </div> <div data-bbox="266 941 353 976" data-label="Text"> <p>20,71</p> </div>	<div data-bbox="427 726 555 981" data-label="Image"> </div>	
<div data-bbox="115 1045 353 1133" data-label="Text"> <h1>99,53</h1> </div> <div data-bbox="96 1224 163 1259" data-label="Text"> <p>8,31</p> </div> <div data-bbox="284 1219 353 1254" data-label="Text"> <p>0,78</p> </div>	<div data-bbox="434 1007 583 1259" data-label="Image"> </div>	<div data-bbox="759 1019 1020 1107" data-label="Text"> <p><b>!Q<sup>T</sup> AUTOROUTE</b></p> </div> <div data-bbox="721 1161 1061 1224" data-label="Text"> <p><b>→ AVENIDA LUGONES TRANSITO PESADO</b></p> </div>
<div data-bbox="64 1318 353 1406" data-label="Text"> <h1>100,30</h1> </div> <div data-bbox="96 1501 163 1536" data-label="Text"> <p>7,54</p> </div> <div data-bbox="284 1497 353 1532" data-label="Text"> <p>0,77</p> </div>	<div data-bbox="439 1278 555 1536" data-label="Image"> </div>	

PAGINA <b>4</b>	<b>DELTA DOCK</b> <b>CIUDAD UNIVERSITARIA</b>	<b>KM TOTAL: 107,84</b>
<b>102,60</b> 5,24      2,30		
<b>106,00</b> 1,84      3,40		 <b>CIUDAD UNIVERSITARIA</b>   <b>34° 32.980'S</b> <b>58° 26.185'W</b>
<b>106,57</b> 1,27      0,57		 <b>CIUDAD UNIVERSITARIA</b>
<b>106,96</b> 0,88      0,39		<b>Entrée du</b> <b>CIUDAD UNIVERSITARIA</b>   <b>34° 32.742'S</b> <b>58° 26.469'W</b>
<b>107,27</b> 0,57      0,31		

107,84



 34° 34.085'S  
58° 24.523'W

0,00

0,57